

SP (SERIES LIMIT SWITCH BOX)

The SOLDO SP series limit switch box provides a compact design and the most economical solution for both visual and remote electrical indication of rotary valve/actuator position. Integral NAMUR mounting legs provide additional cost saving by eliminating the need for a separate mounting bracket. The switch options available make the SP series suitable for use in IP65 weather proof applications and also intrinsically safe applications.

[WEATHER PROOF]

IP65 and Nema4 and 4X weather proof enclosure.

[COMPACT DESIGN]

SP switchboxes have been engineered in order to reduce overall dimensions. Total height from actuator pinion is 76 mm. It is ideal for use on all size actuators including very small units.

[INTEGRAL MOUNTING BRACKET]

SP housing incorporates integral mounting legs and drive shaft that conform to NAMUR VDI/VDE3845 international dimension standards. Using a single adjustable sliding bracket it is possible to fit SP switchboxes onto any VDI/VDE3845 actuator. Both 30x80 and 30x130 top pattern and 20mm, 30mm, 40mm and 50 mm pinion height can be matched with a single bracket. This maximizes interchangeability plus reduces cost by eliminating need for bracket and coupler.

[CORROSION RESISTANT]

SP switchboxes are made of high tech reinforced polymers. UV resistant and VO polycarbonate cover and VO reinforced PPE body provide a very high mechanical resistance. The resin construction makes this unit ideal for use in hostile environments. The housing also incorporates captive cover screws.

[HIGH THICKNESS CABLE ENTRY]

SP switch box is provided with a M20x1.5 (1/2" npt/f or PG13.5 as option) cable entry. SP cable entry has a 15 mm (1/2") thickness thread. This feature prevent housing damage due to very heavy cables or cable glands. No back nut are required to fit cable glands.

[HIGH RESOLUTION SPLINED CAMS]

Easy-set cams are splined and independently adjustable. This design offers tool free calibration and positive vibration resistant engagement.

[SWITCH OPTIONS]

Mechanical switches are available for general purpose applications. Gold plated mechanical switches or proximity PNP are available for low current applications. Inductive proximity NAMUR switch option provides an effective choice for intrinsically safe applications ATEX certificate (consult SIP bulletin).



[MATERIALS]

Body : VO reinforced Polyphenil Ether
Cover : UV resistant and VO polycarbonate
Shaft : reinforced techno polymer
Fasteners : stainless steel

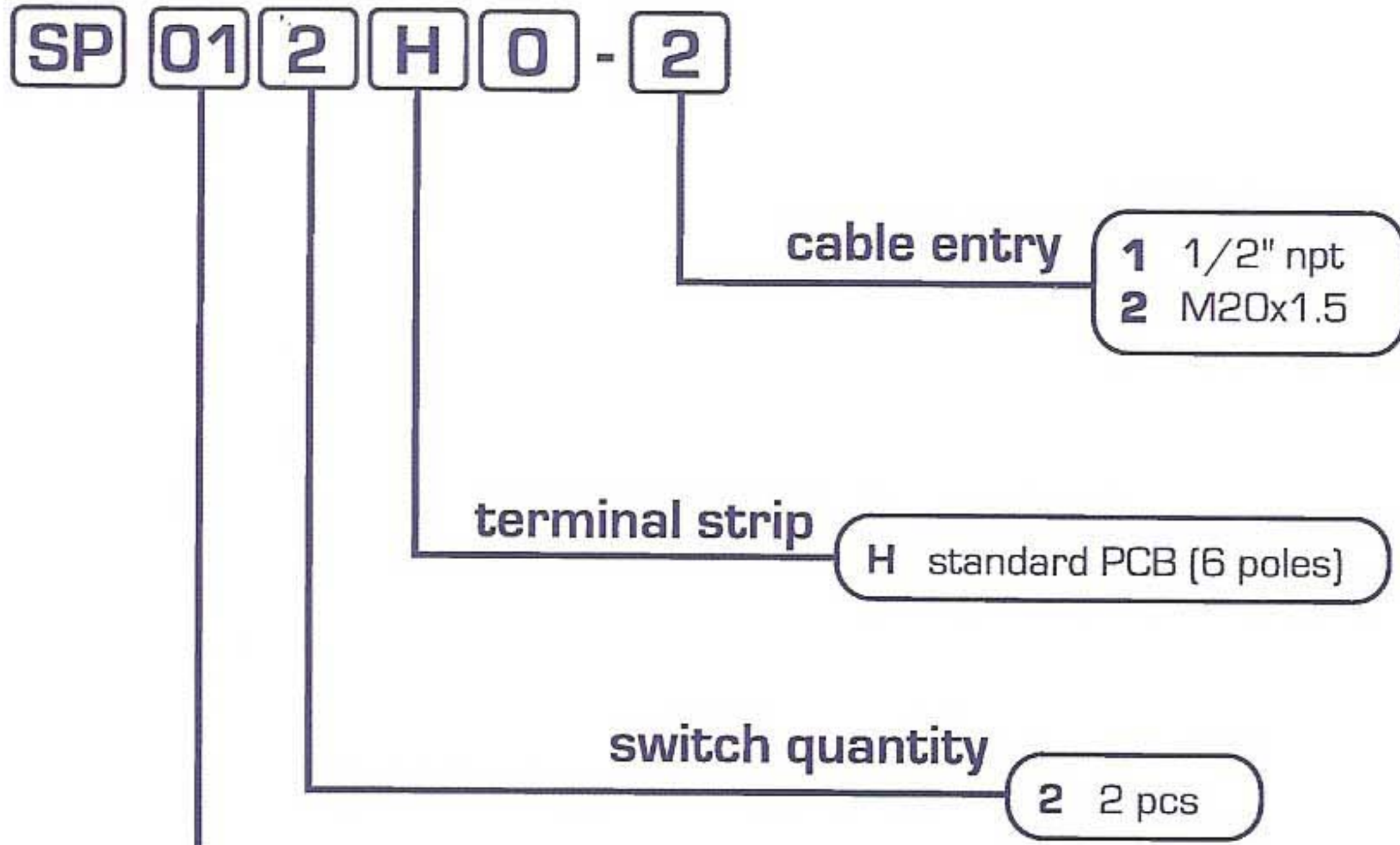
[RATINGS]

Temperature range: standard -15°C + 80°C
Temp. range may vary due to switch range
Electrical: according to switch option
Consult "B02003-3-E" bulletin for switch rating

SP (SERIES LIMIT SWITCH BOX)

www.soldo.net

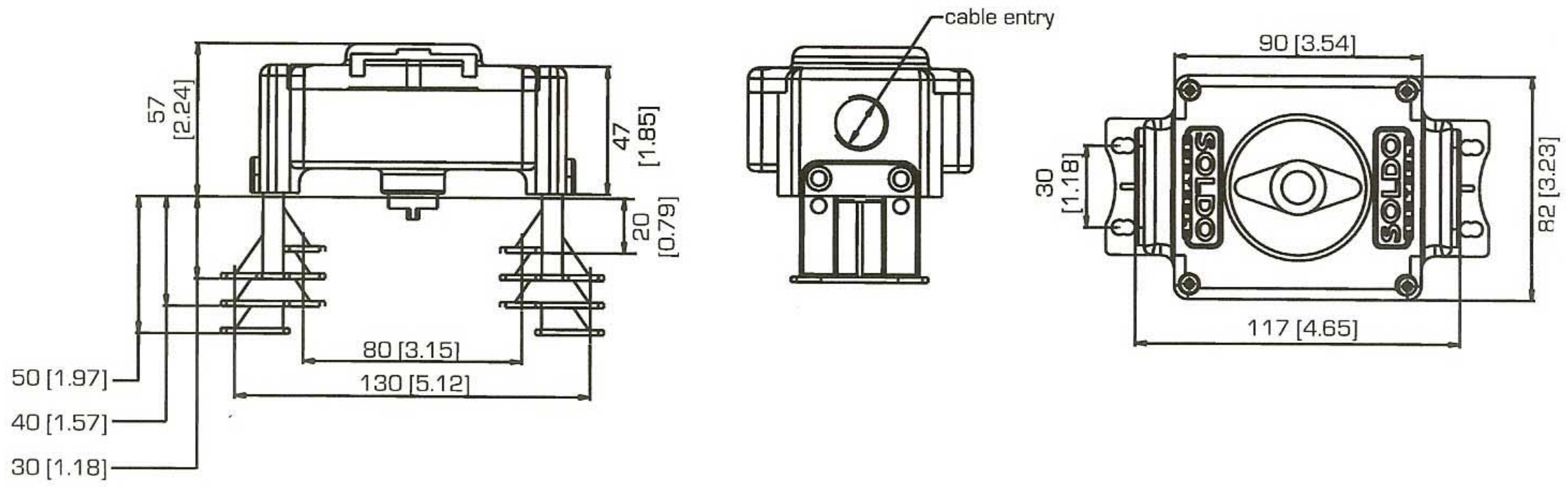
(STANDARD OPTIONS AVAILABLE - Nomenclature)



NOTES
 Terminal strip options depend on switch type.
 * Namur EEx ia proximity switches available on SIP series limit switch box ATEX certificate (consult SIP bulletin)
 ** Resistive loads when not specified.

switch type *	rating **	max q.ty installed
01 electromech SPDT silver plated contacts	max 5A@250VAC - 3A@24VDC min 50mA@250VAC - 50mA@24VDC	2
73 proximity PNP NO P+F NBB2 V3 E2	3 wire amplified, 10-30VDC, 100mA	2
75 proximity NO / NC programmable IFM IS5026	2 wire amplified, 5-36VDC, 200mA	2
83 proximity NO P+F NBB3 V3 Z4	2 wire amplified, 5-60VDC, 100mA	2

(DIMENSION mm - inch)



SOLDO Srl reserves the right to change without notice
 B020007-E-SP-R5

